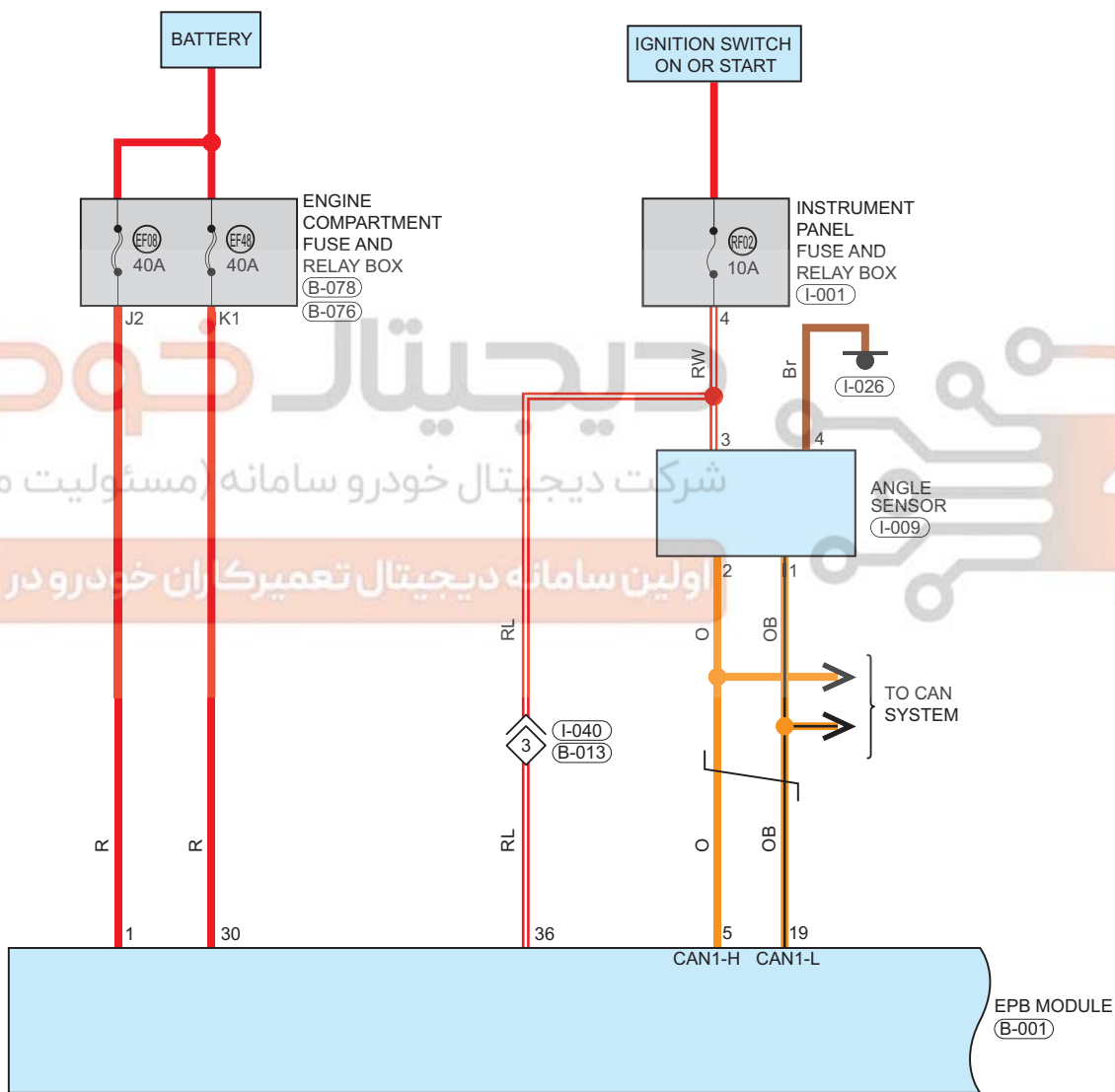


ESP (EPB)

Circuit Diagram (Page 1 of 3)



09 - SYSTEM CIRCUITS

Parts Location

Connector Code	See Page	Connector Code	See Page	Connector Code	See Page
B-078	08-12	B-076	08-12	I-001	08-8
B-001	08-12	I-026	08-8	I-009	08-8

Fuse and Relay

Fuse/Relay	See Page	Fuse and Relay Box
EF08	06-2	Engine Compartment Fuse and Relay Box
EF48	06-2	Engine Compartment Fuse and Relay Box
RF02	06-9	Instrument Panel Fuse And Relay Box

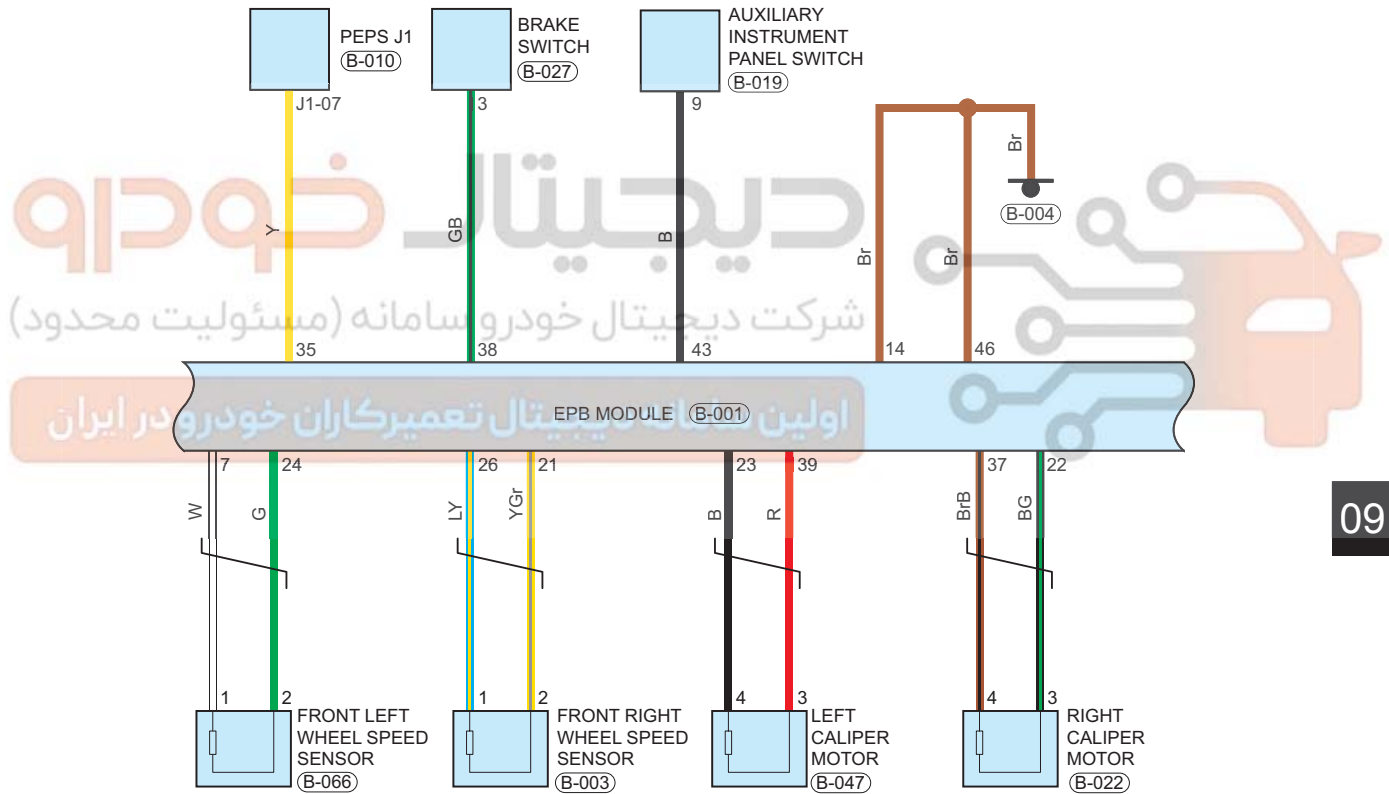
Location of Junction Connector

Connector Code	See Page	Connector Code	See Page	Connector Code	See Page
B-013, I-040	08-12				

Form of Connector

Connector Code	See Page	Connector Code	See Page	Connector Code	See Page
B-078	12-7	B-076	12-7	I-001	12-4
B-001	12-7	I-026	12-4	I-009	12-4
B-013, I-040	12-7				

Circuit Diagram (Page 2 of 3)



Parts Location

Connector Code	See Page	Connector Code	See Page	Connector Code	See Page
B-010	08-12	B-027	08-12	B-019	08-12
B-004	08-12	B-001	08-12	B-066	08-12
B-003	08-12	B-047	08-12	B-022	08-12

Form of Connector

Connector Code	See Page	Connector Code	See Page	Connector Code	See Page
B-010	12-7	B-027	12-7	B-019	12-7
B-004	12-7	B-001	12-7	B-066	12-7
B-003	12-7	B-047	12-7	B-022	12-7

دیجیتال خودرو

شرکت دیجیتال خودرو سامانه (مسئولیت محدود)

اولین سامانه دیجیتال تعمیرکاران خودرو در ایران



Circuit Diagram (Page 3 of 3)

